

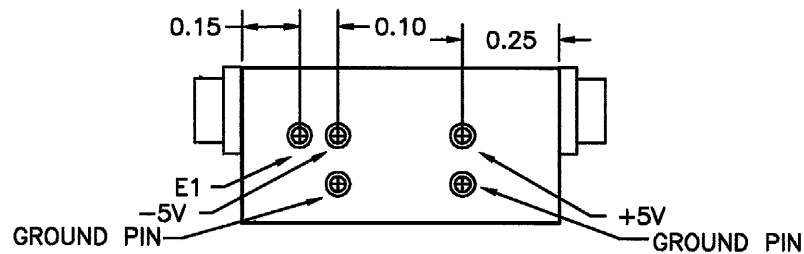
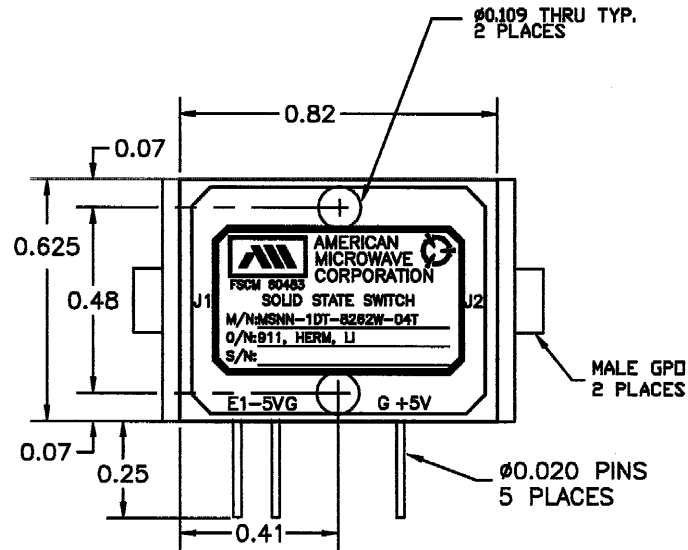
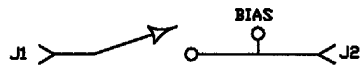
DESCRIPTION:

AMC MODEL MSNN-1DT-0862-04T-STANDARD OPTION 911, HERM, LI IS A HIGH SPEED SINGLE POLE SINGLE THROW NON-REFLECTIVE/ABSORPTIVE SWITCH DESIGNED TO OPERATE OVER THE 9 TO 10.5 GHz FREQUENCY RANGE, WITH LOW INSERTION LOSS, HIGH ISOLATION AND A VSWR OF 2.0:1 . THIS UNIT COMES IN A SMALL SIZE WITH GPO CONNECTORS ON THE RF INPUT/OUTPUTS, SOLDER PIN CONTROLS AND IS HERMETICALLY SEALED FOR SEVERE MILITARY ENVIRONMENTS.

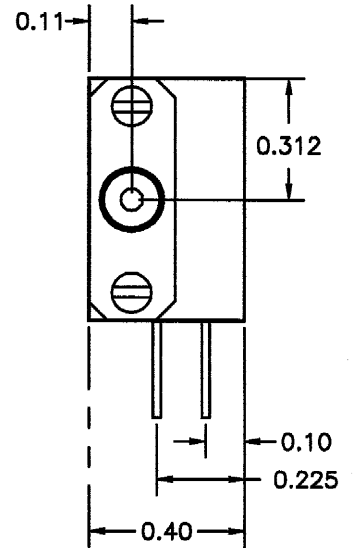
SPECIFICATIONS:

- FREQUENCY:.....9 GHz TO 10.5 GHz
- INSERTION LOSS:..... 2.0dB MAXIMUM
- ISOLATION:..... 60dB MINIMUM
- VSWR:..... 2.0:1 MAXIMUM
- SWITCHING SPEED:.....150 nS MAXIMUM (50% TTL TO 90% RF)
- CONTROL:.....TTL LOGIC "0"=INSERTION LOSS (1 CONTROL LINE)
- RF POWER:.....+10dBm MINIMUM (1dB COMPRESSION)
- DC VOLTAGE:.....+5V @ 70 mA MAX.
-5V @ 100mA MAXIMUM
- RF CONNECTORS:..... RF IN/OUT GPO MALE
DC/CONTROL SOLDER PINS
- OPERATING TEMPERATURE:.....-40°C TO +85°C
- SIZE:.....0.82" x 0.625" x 0.4" (HERMETICALLY SEALED)
- WEIGHT:.....1.0 OUNCE TYPICAL

BLOCK DIAGRAM



M/N=MODEL NUMBER
O/N=OPTION NUMBER
S/N=SERIAL NUMBER
P/N=PART NUMBER



REVISIONS				
ZONE	REV.	DESCRIPTION	DATE	APPROVED
		ORIGINAL RELEASE	11/23/90	

ENVIRONMENTAL RATINGS:

- TEMPERATURE:.....-40°C TO +85°C (OPERATING)
-65°C TO +125°C (STORAGE)
- HUMIDITY:..... MIL-STD-202F, METHOD 103B COND. B
- SHOCK:..... MIL-STD-202F, METHOD 213B COND. B
- VIBRATION:..... MIL-STD-202F, METHOD 204D COND. B
- ALTITUDE:..... MIL-STD-202F, METHOD 105C COND. B
- TEMPERATURE CYCLE:..... MIL-STD-202F, METHOD 107D COND. A
- BURN IN:..... MIL-STD-883, METHOD 1015, 100% SAMPLE
- SEAL (FINE):..... MIL-STD-883, METHOD 1014 CONDITION A OR C, 100% SAMPLE
- SEAL (GROSS):..... MIL-STD-883, METHOD 1014 CONDITION C OR D, 100% SAMPLE

ALL DIMENSIONS ARE IN INCHES

TOLERANCES:
X.XX ±0.020
X.XXX ±0.010

NOTE: THE ABOVE SPECIFICATIONS ARE SUBJECT TO CHANGE OR REVISION

PART NO.		AMERICAN MICROWAVE CORPORATION FREDERICK, MARYLAND		
APPROVALS	DATE	TITLE		
DRAWN <i>WJP</i>	11/23/90	PRODUCT FEATURE MSNN-1DT-0862-04T-STANDARD OPTION 911, HERM, LI SOLID STATE SWITCH		
CHECKED		SIZE	FSCM NO.	DWG NO.
ISSUED		A	60483	100-4409-2
		SCALE	SHEET 1 of 2	